

FBV12-Threaded Ball Valve-3000Psi



GENERAL CHARACTERISTICS

- Reduced Port
- Blow-out-proof stem design
- Padlocking device
- Design: ASME B16.34
- Test: API 598
- End Connections: Threaded End
- Threaded Type:
ANSI B1.20.1(NPT)
ISO 7/1(BSPT,BSP)

WORKING CONDITIONS

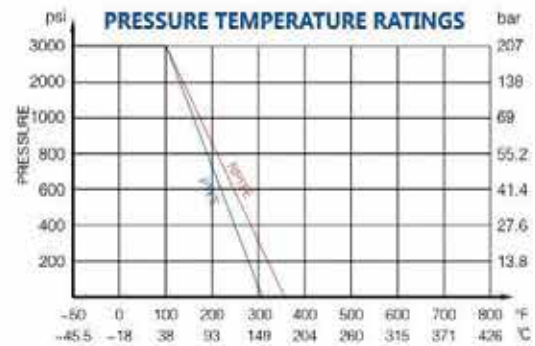
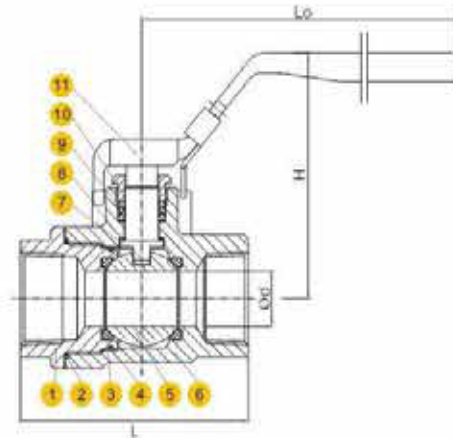
- Working Pressure: 3000Psi
- Temperature Range:
-20° to 302°F-PTFE
-20° to 356°F-RPTFE
- Applicable medium: Water, Oil, Gas



MATERIALS LIST

11	HANDEL	1	Steel	Steel
10	GLAND	1	304	304
9	PACKING	1	PTFE	RPTFE
8	STEM WASHER	1	PTFE	RPTFE
7	STEM	1	A276 316	A276 316
6	BODY	1	A351 CF8M	A351 CF8M
5	BALL	1	SS316	SS316
4	O-RING	1	NBR	NBR
3	SEAT	2	PTFE	RPTFE
2	GASKET	1	PTFE	RPTFE
1	BONNET	1	A351 CF8M	A351 CF8M
No.	DESCRIPTION	Q'TY	MATERIAL	

Note: Please contact us for other material requirements.



DIMENSIONS-3000Psi

SIZE	L	d	Lo	H	Weight(lb)	Torque(lbf · in)
1/2"	2.99	0.47	6.1	2.97	1.32	106
3/4"	3.31	0.59	7.09	3.29	2.05	150
1"	3.66	0.79	7.09	3.5	2.9	212
1 1/4"	4.25	0.98	8.66	4.37	4.51	318
1 1/2"	4.69	1.26	8.66	4.53	6.13	469
2"	6.32	1.5	10.24	5	9.3	637